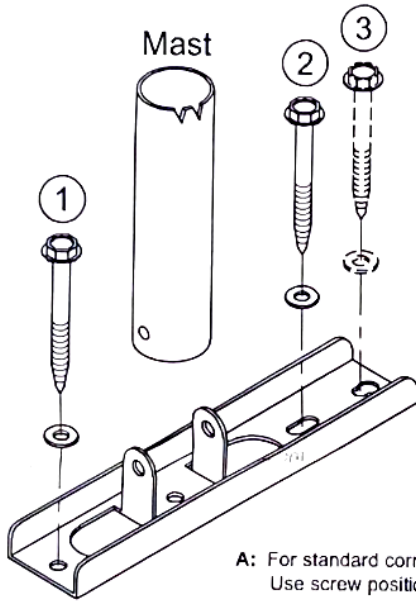
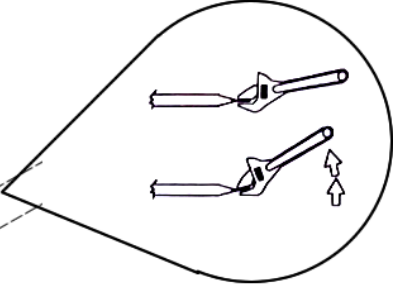
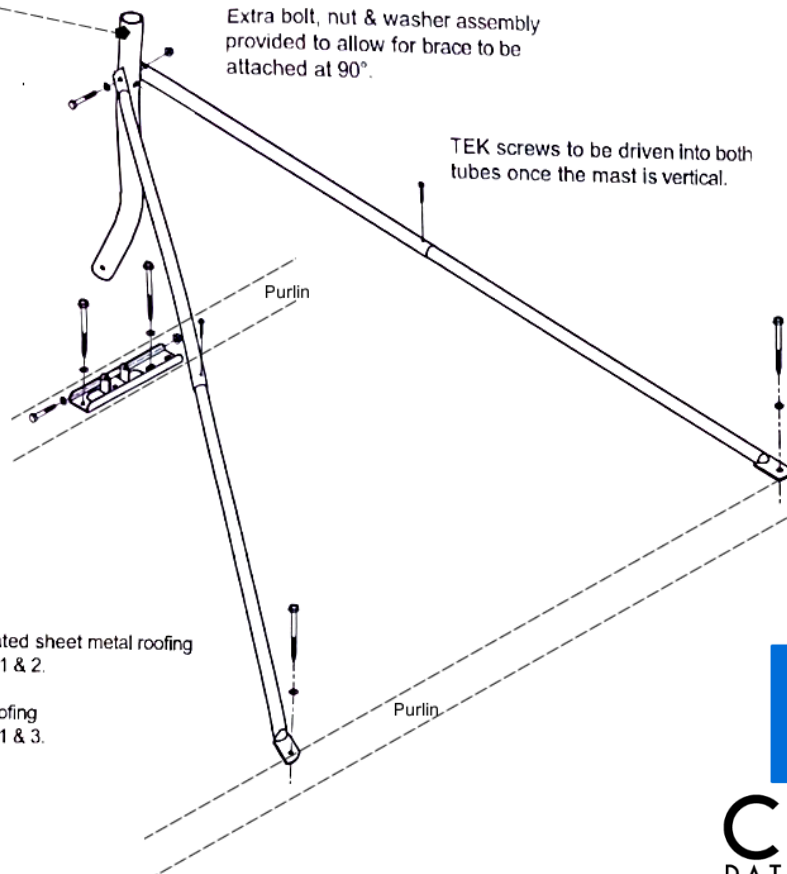


Same applies for
1m, 1.3m and 2m masts



- A: For standard corrugated sheet metal roofing
Use screw positions 1 & 2.
- B: For 'Trimdek' style roofing
Use screw positions 1 & 3.



CLICK
DATA AND WIFI
www.clickdatawifi.com.au
0434 90 7827

CLICK
DATA AND WIFI
www.clickdatawifi.com.au
0434 90 7827

Recommendation: If practical, it is recommended to install the stay arms above the base mount coming down from a higher purlin. Opposite to the above diagram. This avoids length issues with the stay bars if the purlins are too widely spaced apart.